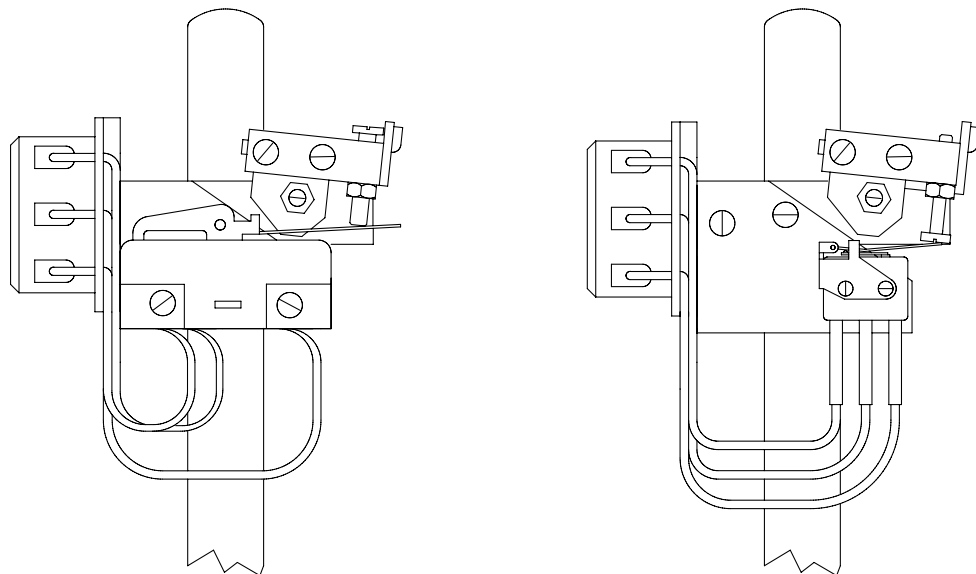
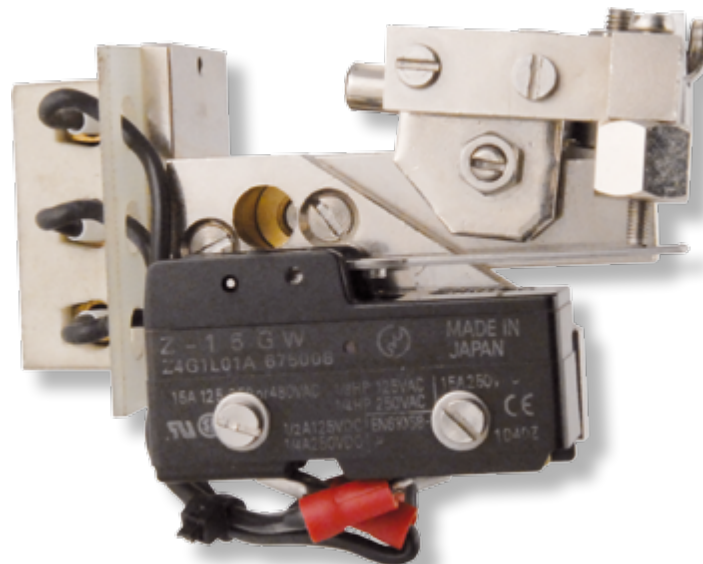
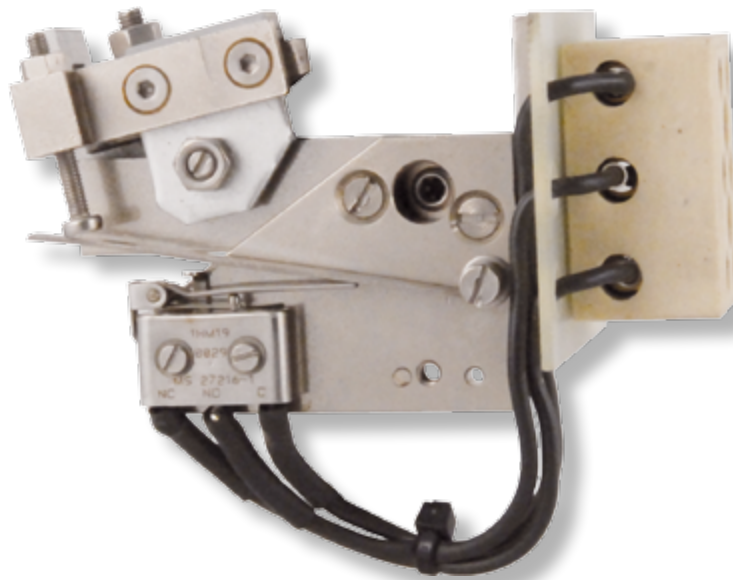


Electrical switch groups and accessories





ELECTRICAL SWITCH GROUPS

TYPE	V	A	Hz	FOR TYPE
Dry microswitch	500	5	50 - 60	All types
Microswitch sealed in inert gas	115	3	50 - 400	All types
Weatherproof sealed microswitch for circuits with intrinsic safety	250	5	50 - 60	All types
Weatherproof sealed microswitch	500	5	50 - 60	All types

ACCESSORIES

Cooling fin to extend the working temperature max. value up to 250° C.	IL 4 - IL 5 - IL 6
Sealing bellows for the protection of the magnetic gear group	IL 4 made of plastic material
Flameproof electric case EN 50.018 (CEI 31.1) EEx-d IIB T6 or EEx-d IIC T6	IL 4 - IL 5 - IL 6