

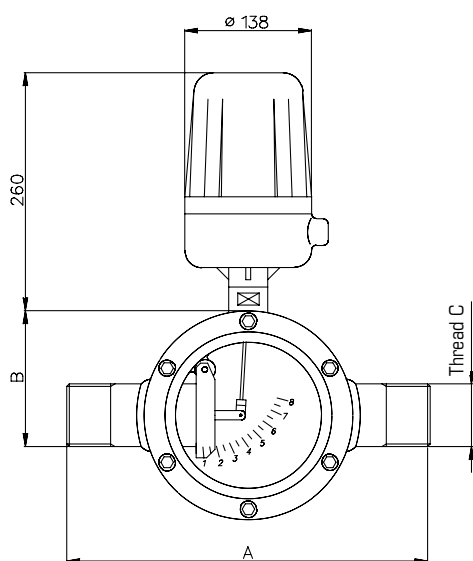


Flowswitches type IF 50

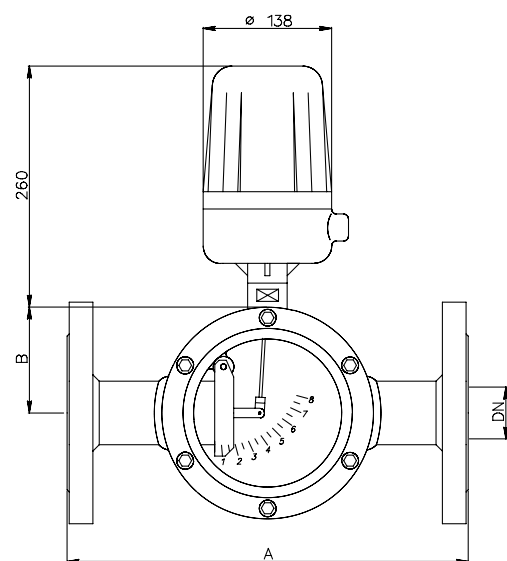
The flowswitches type IF 50 are paddle type flowswitches with instant range indication for mounting on horizontal pipelines and with one or two intervention points. They are suitable for all applications where there are working pressures up to 10 bar and temperatures up to 200° C. and their intervention points are adjustable on the

whole working range. They can be constructed with flanged, threaded or welding connections and their body can be made of different kinds of materials as stated in the above table. The electric part is contained in a weatherproof case made of diecasted aluminium with IP 65 protection (standard type) or in a flameproof

case following EN 50.018 (CEI 31.1) - EEx-d IIB T6 or EEx-d IIC T6 (request type) with threaded electric connection 1/2" UNI 6125 F. The flowswitches type IF 50 are supplied complete with switch groups on which only one SPDT contact is mounted. On request they can be supplied with two SPDT contacts in parallel.



Threaded connections



Flanged connections



BODY	Standard MAX. TEMPERATURE	MAX. TEMPERATURE with cooling fin
Carbon steel	120° C.	200° C.
S/S AISI 304	120° C.	200° C.
S/S AISI 316	120° C.	200° C.

TYPE	A	B	FLANGE DN		C	H ₂ O m ³ /h max. flow	P. MAX. bar
			PN16 - UNI 2223	ANSI B16.5 - 150 LB			
IF 50/40	260	74	40	1" 1/2	G 1" 1/2	12	10
IF 50/50	280	74	50	2"	G 2"	20	10
IF 50/65	300	84	65	2" 1/2	G 2" 1/2	40	8
IF 50/80	330	105	80	3"	G 3"	60	8
IF 50/100	400	121	100	4"	G 4"	150	8