



## Magnetic transmission flowmeters type TM

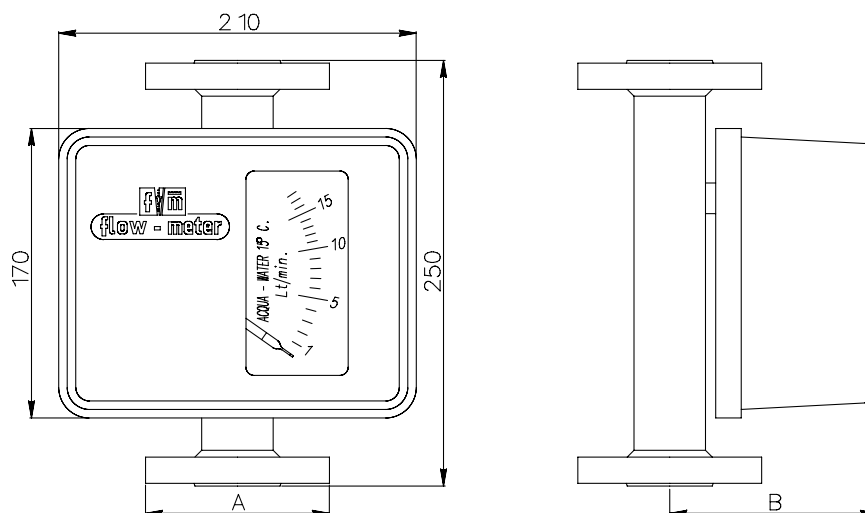
The direct reading flowmeters type TM are instant flow measuring devices with the reading pointer magnetically coupled to the measuring device. The range can be read with high accuracy on the external dial that is contained, together with the magnetic group, in a weatherproof case made of shell mould casted aluminium. They are particularly suitable for fluids measurements, both liquid

and gaseous, in hard working conditions and they are often used in chemical, petrolchemical, pharmaceutical, food industries etc. The direct reading flowmeters type TM are suitable for the mounting on vertical pipelines with upwards flow. Other features besides the ones already mentioned are:

- carbon steel or stainless steel flanges;

- standard construction up to PN10;
- max. working temperature: 120° C.;
- accuracy:  $\pm 5\%$  E. O. S.;
- graduated scale stating the range or the percentage.

Instruments with other features can be manufactured at request.



Type TM



#### FEATURES

Accuracy	± 5% V.F.S.
Working max. pressure	PN 10
Working max. temperature	120° C.

#### ACCESSORIES

Plastic body suitable for the use with corrosive fluids

Float made of HASTELLOY C or TITANIUM

Construction up to PN64

TYPE	WATER Maximum flow m <sup>3</sup> /h	AIR Maximum flow Nm <sup>3</sup> /h 1013 mbar	FLANGE A		B
			UNI PN 6 ÷ PN 64	ANSI 150 LB ÷ 300 LB	
TM 15	1,5	45	DN 15	1/2"	125,5
TM 20	2	55	DN 20	3/4"	128
TM 25	4	120	DN 25	1"	132
TM 32	6	180	DN 32	1" 1/4	136
TM 40	10	300	DN 40	1" 1/2	139
TM 50	15	400	DN 50	2"	145
TM 65	25	750	DN 65	2" 1/2	151,5
TM 80	40	1200	DN 80	3"	159,5
TM 100	90	2500	DN 100	4"	182