

A close-up, grayscale photograph of medical tubing and connectors. The image shows several white plastic tubes with black internal liners, arranged in a diagonal line from the top left towards the bottom right. The ends of the tubes are cut, revealing the internal structure. In the bottom right corner, a portion of a white plastic connector or fitting is visible, showing its internal threads and a central opening. The background is a soft, out-of-focus gray.

ACCESSORIES

RAILS, FIXING DEVICES, PHLEBOCLYSIS RODS, JOINTED EXTENSION,
LOW PRESSURE HOSE ASSEMBLIES

The range of accessories includes a wide variety of clamp brackets for rail or floor stands, ABS wall brackets with various slide dimensions, brushed stainless steel rails complete with spacers and wall or plasterboard fasteners, medical gas hoses EN ISO 5359, catheter containers, jointed extensions and phleboclysis rods.

APPLICATIONS

These accessories give the possibility to complete the proposals offering the best solutions for the customer requirements, according to the different using needs in hospitals and in emergencies.



hospitals



emergency



home care

Probes with thread connection



Probe type **AFNOR NF-S 90-116** with thread ISO G. 1/4" F.



Probe type **AFNOR NF-S 90-116 EASYFIX®** with thread ISO G. 1/4" F.



Probe type **UNI 9507** with thread ISO G. 1/4" F.



Probe type **BS 5682** with thread ISO G. 1/4" F.



Probe type **DIN 13260-2** with thread ISO G. 1/4" F.



Probe type **SS 875 24 30** with thread ISO G. 1/8" M. or ISO G. 1/4" F.



Probe type **JIS T 7101** with thread ISO G. 1/8" M.



Probe type **SANS 1409** with thread ISO G. 1/4" F.



Probe type **OHMEDA** with thread ISO G. 1/4" F.

Probes with hose connection



Probe type **AFNOR NF-S 90-116 EASYFIX®** for compressed medical gases with hose connector Ø 6 mm and for Vacuum with hose connector Ø 7.5 mm.



Probe type **UNI 9507** for compressed medical gases with hose connector Ø 6 mm and for Vacuum with hose connector Ø 7.5 mm.



Probe type **NIST EN ISO 5359** for compressed medical gases with hose connector Ø 6 mm and for Vacuum with hose connector Ø 7.5 mm.



Probe type **BS 5682** for compressed medical gases with hose connector Ø 6 mm and for Vacuum with hose connector Ø 7.5 mm.



Probe type **DIN 13260-2** for compressed medical gases with hose connector Ø 6 mm and for Vacuum with hose connector Ø 7.5 mm.



Probe type **SS 875 24 30** for compressed medical gases with hose connector Ø 6 mm and for Vacuum with hose connector Ø 7.5 mm.



Probe type **JIS T 7101** for compressed medical gases with hose connector Ø 6 mm and for Vacuum with hose connector Ø 7.5 mm.



Probe type **SANS 1409** for compressed medical gases with hose connector Ø 6 mm and for Vacuum with hose connector Ø 7.5 mm.



Probe type **OHMEDA** for compressed medical gases with hose connector Ø 6 mm and for Vacuum with hose connector Ø 7.5 mm.

Outlet duplicators



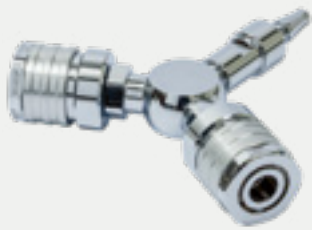
Outlet duplicator type
AFNOR NF-S 90-116.



Outlet duplicator type
NIST EN ISO 5359.



Outlet duplicator type
UNI 9507.



Outlet duplicator type
BS 5682.



Outlet duplicator type
DIN 13260-2.



Outlet duplicator type
SS 875 24 30.

Rail clamping system · Wall brackets · Stainless steel rail

Rail clamping system



Universal bracket made of anodised aluminium for stand Ø 30 mm.



ABS clamp for rail 30x10 mm and 50x10 mm complete with nipple threaded ISO G. 1/4" F. and hose connector Ø 6 mm (for medical gases) or Ø 7.5 mm (for Vacuum).



ABS clamp bracket for rail 30x10 mm and 50x10 mm, with slide 25x5 mm, 30x5 mm or 45x5 mm.



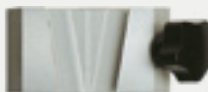
Chrome-plated universal bracket for rail 30x10 mm with locking knob.



Chrome-plated universal bracket for rail 30x10 mm and 50x10 mm.



Anodized aluminum wedge for OHMEDA rail clamp bracket, with nipple threaded ISO G. 1/4" F. and hose connector Ø 6 mm (for medical gases) or Ø 7.5 mm (for vacuum).



Anodized aluminum OHMEDA rail clamp bracket.



Anodized aluminum wedge for OHMEDA rail clamp bracket, with slide 25x5 mm, 30x5 mm or 45x5 mm.

< follows

Rail clamping system · Wall brackets · Stainless steel rail

Wall brackets



ABS wall bracket: 25x5 mm, 30x5 mm, 45x5 mm slide.

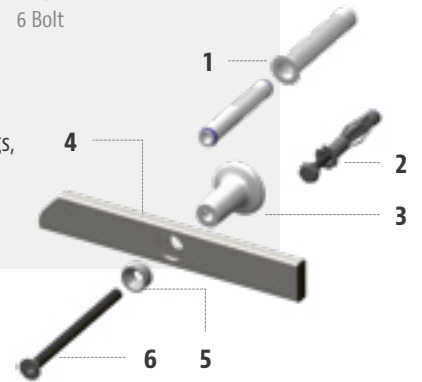
Stainless steel rail



Directory, components detail

- 1 Chemical fixings
- 2 Plasterboard fixings
- 3 Rail spacer
- 4 Rail
- 5 Bolt washer
- 6 Bolt

Stainless steel rail 30x10 mm, brushed, with spacers and fittings, various lengths.



Accessories



Jointed extensions

flow-meter™ jointed extension is a system particularly suitable to support the corrugated tubes of respiratory circuits.

The jointed extension is available with or without rail clamp bracket, with one or two joints allowing an easy orientation and with a device to fix two tubes Ø 16 mm or Ø 22 mm. Thanks to the swivel joints with cogging, it is an efficient support for even considerable weights.

Sizes of sections | Type with:

ONE JOINT	First section: 150 mm - Second section: 450 mm
TWO JOINTS	First section: 150 mm - Second section: 450 mm Third section: 300 mm



Phleboclysis rods

flow-meter™ phleboclysis rods are support units particularly suitable to hold the infusion bottles during the hospital therapies. The phleboclysis rods allow an easy orientation and they can have the two following constructions:

- fixed construction, with straight or angled terminal piece and two hooks;
- extendible construction, with angled terminal piece and four hooks.

Thanks to the particularly strong structure made of chrome-plated steel, they can support even considerable weights.

Different constructions are produced under request.

Low pressure hose assemblies

EN ISO 5359

The low pressure hose assemblies, meeting the requirements of the Standard EN ISO 5359, are indicated for the use with the following medical gases:

- Oxygen (O₂);
- Medical air (AIR);
- Air for driving surgical tools (AIR-800);
- Vacuum (VAC).

Here under some examples of suggested uses for the flexible hose assemblies:

- Connection between terminal units and medical equipment (refer to Standards EN ISO 9170-1, EN ISO 80601-2-13 and EN ISO 80601-2-12);
- Connection between a distribution pipeline system and one of its terminal units (refer to Standards EN ISO 7396-1 and EN ISO 11197);
- Connection between two terminal units (refer to Standard EN ISO 7396-1);
- Connection between an emergency supply source and a supply point for the emergency and the maintenance of a distribution pipeline system (refer to Standards EN ISO 10524-1 and EN ISO 7396-1);
- Connection between an emergency supply point and a medical equipment (refer to Standards EN ISO 10524-1, EN ISO 80601-2-13 and EN ISO 80601-2-12).

Main information



These flexible hose assemblies can be used in a pressure range from 300 kPa to 1400 kPa for compressed medical gases and from 10 kPa to 100 kPa (absolute pressure) for vacuum.

COMPRESSED MEDICAL GASES HOSE SIZES	Ø 11.5x5 mm
VACUUM HOSE SIZES	Ø 13.5x6.3 mm
HOSE INNER MATERIAL	black EPDM with antistatic treatment
HOSE ARMOUR	polyester
HOSE COATING	EPDM coloured according to the gas type
COMPRESSED MEDICAL GASES WORKING PRESSURES	from 300 kPa to 1400 kPa
VACUUM WORKING PRESSURES	from 10 kPa to 100 kPa (absolute pressure)
STANDARD HOSE LENGTHS	1.5 m, 2.5 m, 4.5 m for gases 1.5 m, 2.5 m for vacuum

- 1 Different configurations of probes and outlets and available for all medical gases.
- 2 Unamovable clamping system.



1



2



Hoses for medical gases

Anti-squeezing hoses, according to standard EN ISO 5359, Ø 5x11.5 mm for medical compressed gases available in colors white and white-black and Ø 6.3x13.5 mm for suction available in colors yellow and green.