



TERMINAL UNITS

DEVICES & COMPONENTS

As terminal units are intended those fixed or removable points of a medical **gas distribution plant** on which the user operates frequent connections and disconnections to supply the various gases for feeding the anesthesia equipment, for ventilation, oxygen therapy and medical use in general. There are also available the terminal units in special version for scavenging system.

STANDARDS

These terminal units are designed and manufactured in accordance with various national and international standards providing operators with high standards of safety during the use.



hospitals



emergency



home care



UNI 9507 outlets

Flush-mounted installation with UNI 9507 outlets
(surface installation also available).

Terminal Units

The terminal units for medical compressed gases and vacuum are the points allowing operators in hospitals to connect medical appliances to the gas distribution systems.

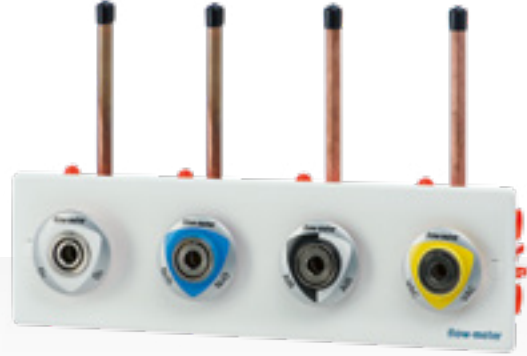
MAIN FEATURES

- Gas-specificity to grant safe connections
- Color code according to international standards
- Available in construction of 1 to 4 units
- According to AFNOR NF-S 90-116/NF-DS 90-119, NIST EN ISO 5359, UNI 9507, DIN 13260-2, BS 5682, SS 875 24 30 standards
- Possibility of surface or flush mounted installation.



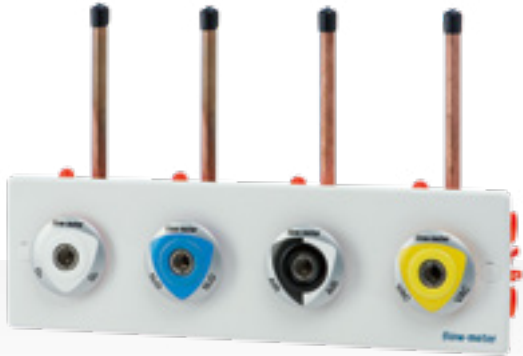
DIN 13260-2 outlets

Flush-mounted installation with DIN 13260-2 outlets (surface installation also available).



BS 5682 outlets

Flush-mounted installation with BS 5682 outlets (surface installation also available).



SS 875 24 30 outlets

Flush-mounted installation with SS 875 24 30 outlets (surface installation also available).



**AFNOR NF-S 90-116/NF-DS 90-119/
NIST EN ISO 5359 outlets**

Flush-mounted installation with AFNOR NF-S 90-116/NF-DS 90-119/NIST EN ISO 5359 outlets (surface installation also available).



**AFNOR NF-S 90-116/
NF-DS 90-119/NIST EN ISO 5359 outlets**
Surface installation with AFNOR NF-S 90-116/
NF-DS 90-119/NIST EN ISO 5359 outlets.

Wall cases

Terminal units · Components



Modular flush-mounted case, complete with disposable panel, suitable for housing **AFNOR NF-S 90-116/ NF-DS 90-119, UNI 9507, DIN 13260-2, BS 5682** and **SS 875 24 30** sockets and outlets.



Shiny ABS cover panel for modular flush-mounted cases for **AFNOR NF-S 90-116/NF-DS 90-119, UNI 9507, DIN 13260-2, BS 5682** and **SS 875 24 30** type outlets. Available with 1, 2, 3 or 4 positions.



Surface mounted case, complete with varnished stainless steel cover panel, with 1, 2, 3 or 4 positions, suitable for housing **AFNOR NF-S 90-116/NF-DS 90-119, UNI 9507, DIN 13260-2, BS 5682** and **SS 875 24 30** sockets and outlets.



Gases identification labels for **AFNOR NF-S 90-116/ NF-DS 90-119/NIST EN ISO 5359** outlets, suitable for fitting on cover panels on modular flush-mounted cases or on surface-mounted cases.



Gases identification labels for **DIN 13260-2, BS 5682, SS 875 24 30** outlets, suitable for fitting on cover panels on modular flush-mounted cases or on surface-mounted cases.



Plasterboard rail for modular flush-mounted cases.

Outlets

Terminal units · Components



Outlet type **AFNOR NF-S 90-116/NF-DS 90-119** for compressed medical gases and vacuum available in the following construction:

- with gas specific thread UNI 9507
- with thread ISO G. 1/4" M.
- with hose connector Ø 6.0 mm for compressed medical gases and with hose connector Ø 7.5 mm for vacuum.



Outlet type **DIN 13260-2** for compressed medical gases and vacuum.



Outlet type **BS 5682** for compressed medical gases and vacuum.



Outlet type **NIST EN ISO 5359** for compressed medical gases and vacuum available in the following constructions:

- with gas specific thread UNI 9507
- with hose connector Ø 6.0 mm for compressed medical gases and with hose connector Ø 7.5 mm for vacuum.



Outlet type **SS 875 24 30** for compressed medical gases and vacuum.



Outlet type **UNI 9507 NEO** with access for simplified maintenance for compressed medical gases and vacuum available in the following constructions:

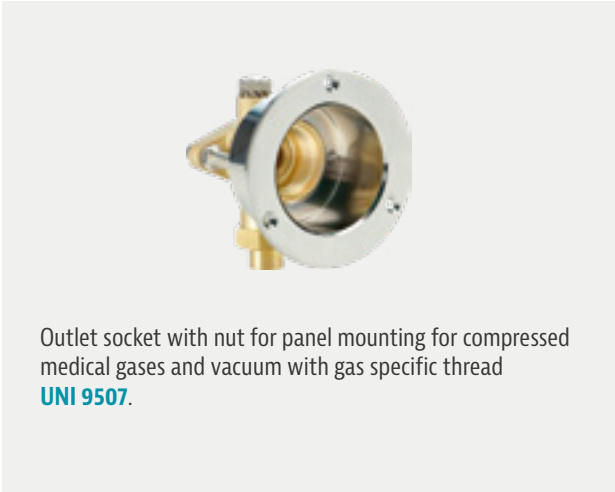
- with gas specific thread UNI 9507
- with hose connector Ø 6.0 mm for compressed medical gases and with hose connector Ø 7.5 mm for vacuum.



Outlet type **UNI 9507** with thread for medical gases and vacuum, equipped with parking device.

Sockets

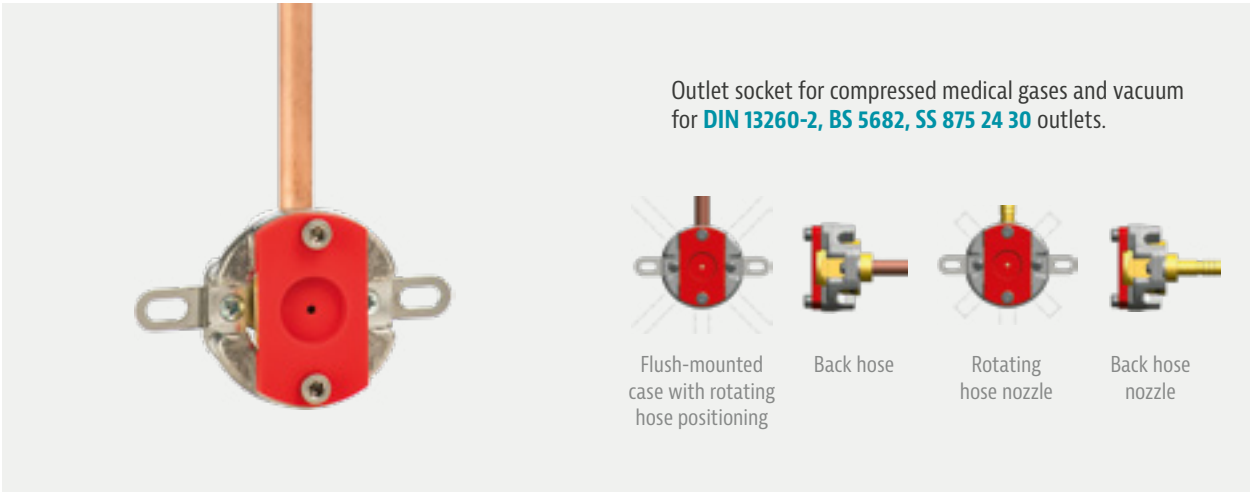
Terminal units · Components



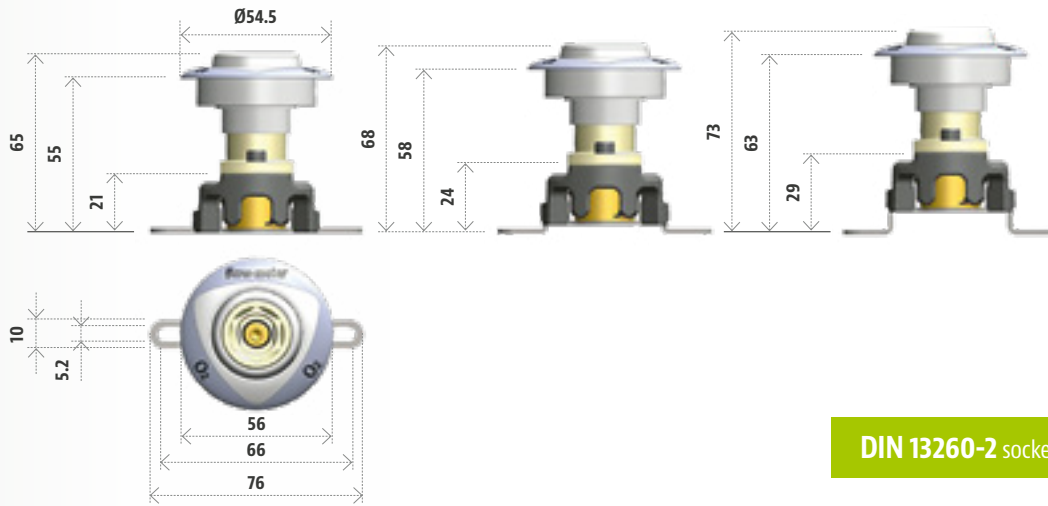
Outlet socket with nut for panel mounting for compressed medical gases and vacuum with gas specific thread **UNI 9507**.



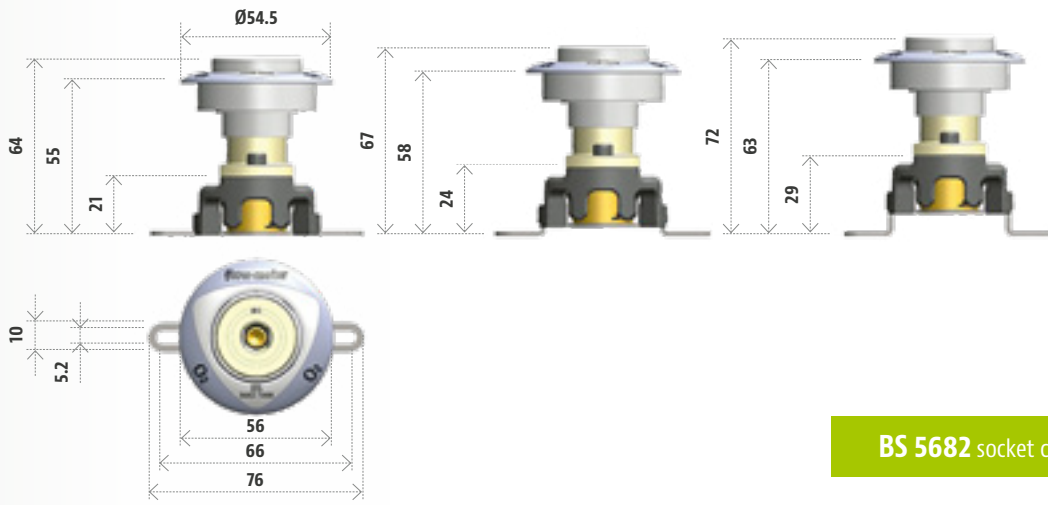
Outlet socket for compressed medical gases and vacuum with gas specific thread **UNI 9507**, complete with nut and copper welding tube nipple.



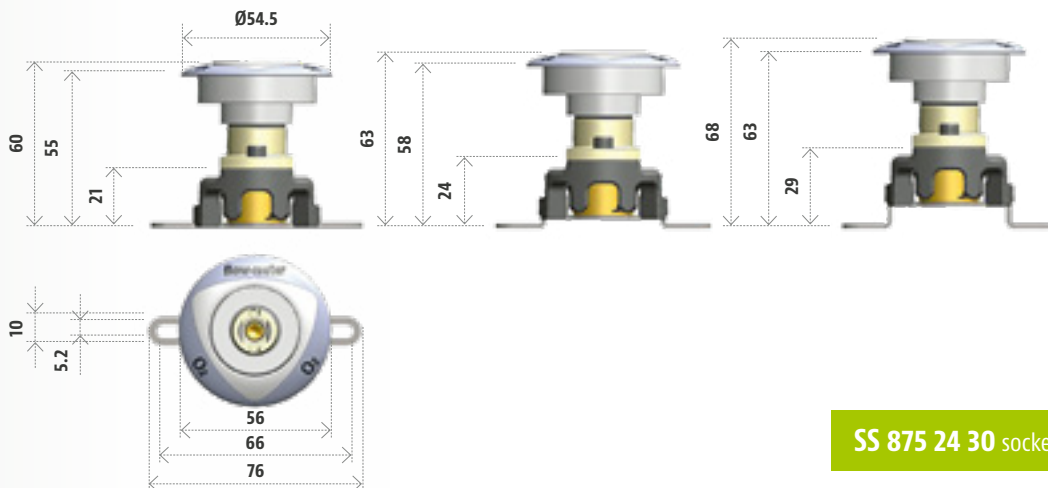
Configurations



DIN 13260-2 socket configuration



BS 5682 socket configuration



SS 875 24 30 socket configuration

Directory

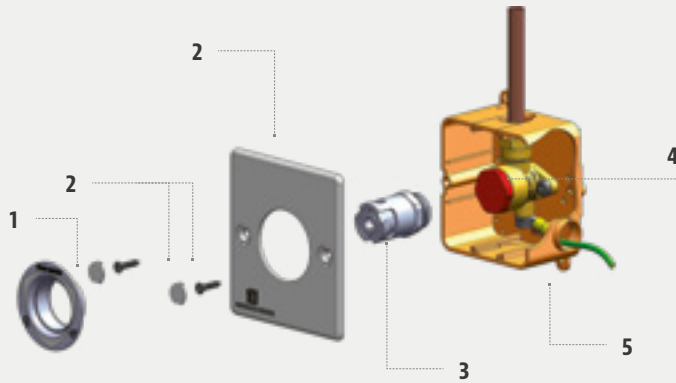
Terminal units · **Flush-mounted** installation



AFNOR NF-S 90-116/NF-DS 90-119/ NIST EN ISO 5359 outlets

Directory · Components detail

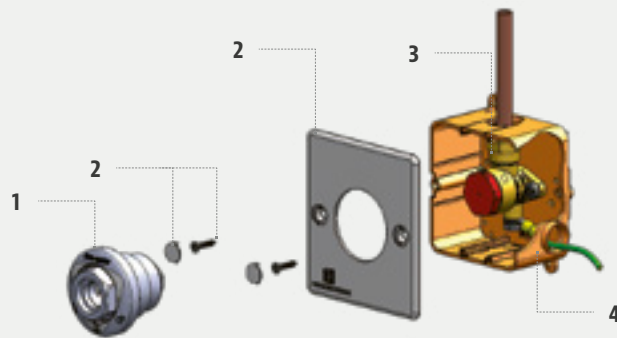
- 1 Gas identification label for AFNOR NF-S 90-116/
NF-DS 90-119/NIST EN ISO 5359 outlets
- 2 ABS panel for modular flush-mounted cases
with screws
- 3 Outlet type AFNOR NF-S 90-116
or NF-DS 90-119 or NIST EN ISO 5359
- 4 Socket with UNI 9507 thread
- 5 Modular flush-mounted case



UNI 9507 outlets

Directory · Components detail

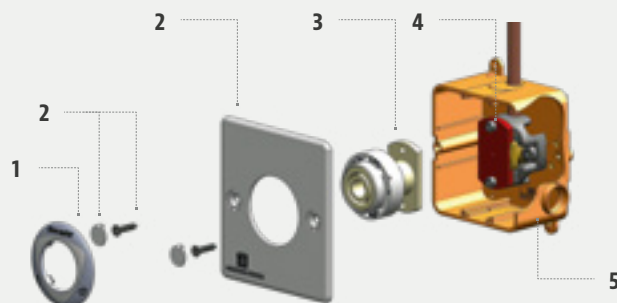
- 1 Outlet type UNI 9507
- 2 ABS panel for modular flush-mounted
cases with screws
- 3 Socket with UNI 9507 thread
- 4 Modular flush-mounted case



DIN 13260-2, BS 5682, SS 875 24 30 outlets

Directory · Components detail

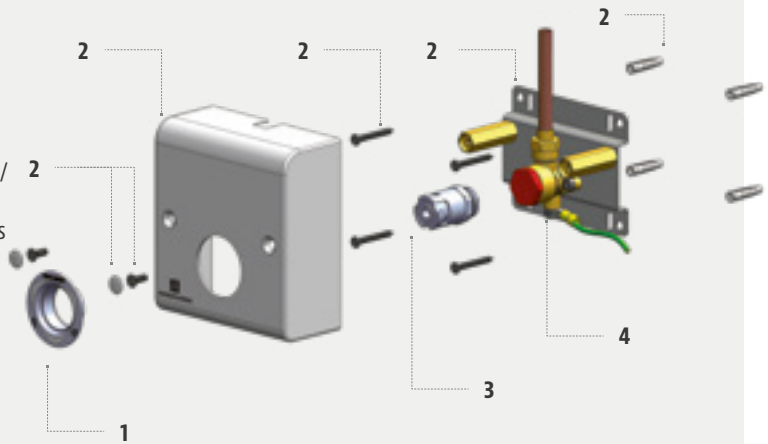
- 1 Gas identification label for DIN 13260-2,
BS 5682, SS 875 24 30 outlets
- 2 ABS panel for modular flush-mounted
cases with screws
- 3 Outlet type DIN 13260-2 or BS 5682
or SS 875 24 30
- 4 Socket for DIN 13260-2, BS 5682,
SS 875 24 30 outlets
- 5 Modular flush-mounted case



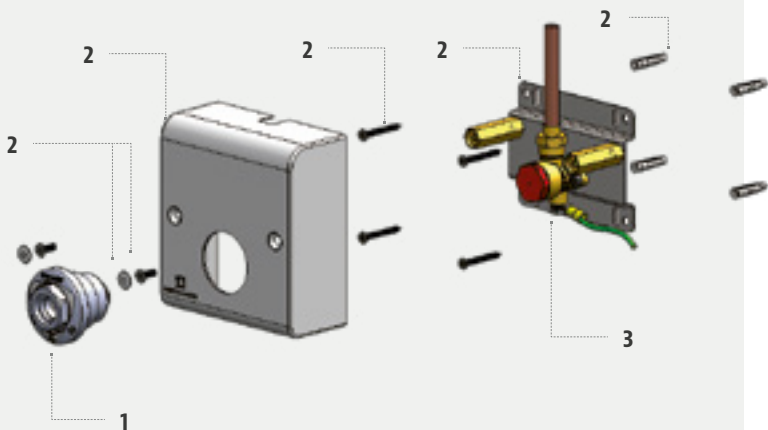
Terminal units · Surface installation

**AFNOR NF-S 90-116/NF-DS 90-119/
NIST EN ISO 5359 outlets****Directory · Components detail**

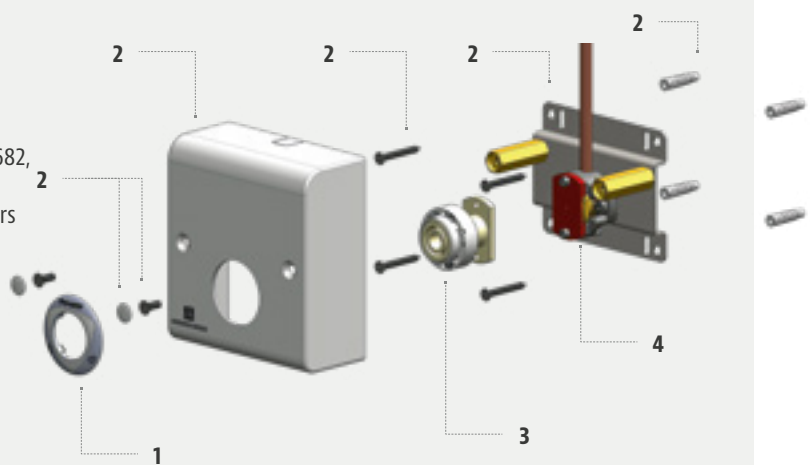
- 1 Gas identification label for AFNOR NF-S 90-116/
NF-DS 90-119/NIST EN ISO 5359 outlets
- 2 Surface mounted case with screws and spacers
- 3 Outlet type AFNOR NF-S 90-116
or NF-DS 90-119 or NIST EN ISO 5359
- 4 Socket with UNI 9507 thread

**UNI 9507 outlets****Directory · Components detail**

- 1 Outlet type UNI 9507
- 2 Surface mounted case with screws
and spacers
- 3 Socket with UNI 9507 thread

**DIN 13260-2, BS 5682, SS 875 24 30 outlets****Directory · Components detail**

- 1 Gas identification label for DIN 13260-2, BS 5682,
SS 875 24 30 outlets
- 2 Surface mounted case with screws and spacers
- 3 Outlet type DIN 13260-2 or BS 5682
or SS 875 24 30
- 4 Socket for DIN 13260-2, BS 5686,
SS 875 24 30 outlets



EN ISO 9170-2 AGSS type 1L

Terminal units

The EN ISO 9170-2 AGSS type 1L terminal units for anesthetic gas scavenging systems are the points allowing operators in hospitals to connect the appropriate quick couplings to safely dispose the exceeding anesthetic gases and vapors away from the clinical environment.

SOLUTIONS AND OPTIONS

The main purpose is to minimize the pollution of the premises where anesthetics are used. Two main installation principles are available:

Venturi type | The suction system is based on the Venturi principle, on the basis of which an injector supplied with compressed air at a pressure of 4 bar, produces a constant suction (set by the installer) suitable for discharging anaesthetic gases outside the room where they are used.

Blower type | A blower generates a constant suction inside the centralized suction system designed to eliminate the anaesthetic gases from the room where they are used; the installer can also adjust the flow discharged directly on the base block by means of a variable section connector.

Main information



Two main installation principles are available: Venturi type and Blower type.



Flush-mounted installation



Surface installation

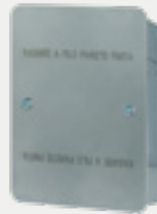


Components

EN ISO 9170-2 AGSS



Painted stainless steel cover panel, for flush-mounted case for **EN ISO 9170-2 AGSS** outlet with front access for the outlet simplified calibration.



Flush-mounted case, complete with disposable panel, suitable for housing **EN ISO 9170-2 AGSS** sockets and outlet.

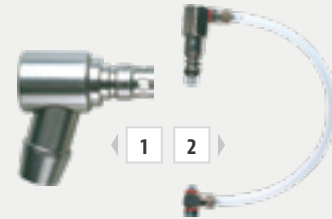


EN ISO 9170-2 AGSS type 1L outlet.



Venturi type

Socket for **EN ISO 9170-2 AGSS type 1** outlet with Venturi system. An injector supplies compressed air at 4 bars creating a constant suction (the setting value can be adjusted during installation) suitable to eliminate the anesthetic gases from the area where they are used. Front access for the simplified calibration without need to disassemble the outlet or to open the cover panel.



1 Probe for **EN ISO 9170-2 AGSS type 1L** outlet.

2 Pneumatic gauge indicating the terminal unit status, to be connected to the socket of the **EN ISO 9170-2 AGSS** outlet with Venturi system.



Blower type

Socket for **EN ISO 9170-2 AGSS type 1** outlet for blower. A blower generates a constant suction inside the central system for the scavenging of anesthetic gases from the area where they are used. The flow can be adjusted during the installation directly on the socket by means of a variable section connector.



Surface mounted case, complete with varnished stainless steel cover panel, suitable for housing **EN ISO 9170-2 AGSS** sockets and outlets with front access for the outlet simplified calibration.

Directory

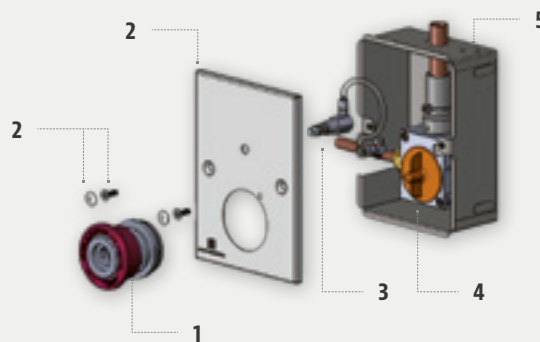
EN ISO 9170-2 AGSS type 1L · Flush-mounted and surface installation

EN ISO 9170-2 AGSS type 1L outlet with Venturi system

FLUSH-MOUNTED INSTALLATION

Directory · Components detail

- 1 EN ISO 9170-2 AGSS type 1L outlet
- 2 S/S cover panel with screws
- 3 Pneumatic gauge
- 4 Socket for EN ISO 9170-2 AGSS type 1 outlet with Venturi system
- 5 Flush-mounted case

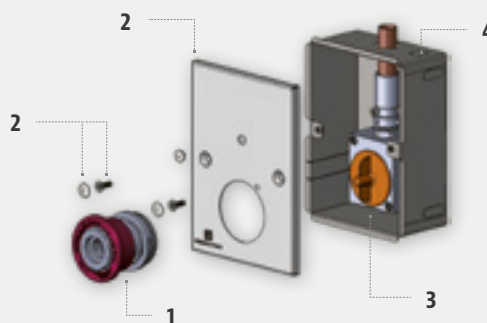


EN ISO 9170-2 AGSS type 1L outlet for blower

FLUSH-MOUNTED INSTALLATION

Directory · Components detail

- 1 EN ISO 9170-2 AGSS type 1L outlet
- 2 S/S cover panel with screws
- 3 Socket for EN ISO 9170-2 AGSS type 1 outlet for blower
- 4 Flush-mounted case

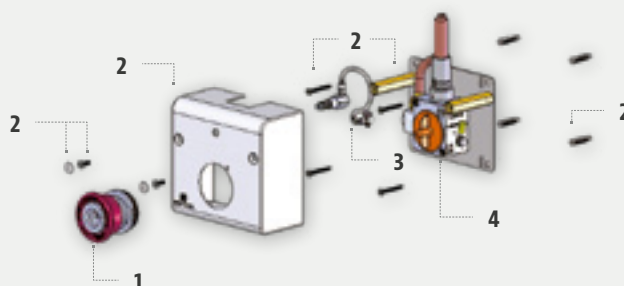


EN ISO 9170-2 AGSS type 1L outlet with Venturi system

SURFACE INSTALLATION

Directory · Components detail

- 1 EN ISO 9170-2 AGSS type 1L outlet
- 2 Surface mounted case with screws and spacers
- 3 Pneumatic gauge
- 4 Socket for EN ISO 9170-2 AGSS type 1 outlet with Venturi system



EN ISO 9170-2 AGSS type 1L outlet for blower

SURFACE INSTALLATION

Directory · Components detail

- 1 EN ISO 9170-2 AGSS type 1L outlet
- 2 Surface mounted case with screws and spacers
- 3 Socket for EN ISO 9170-2 AGSS type 1 outlet for blower

