



UNI 9507 outlets

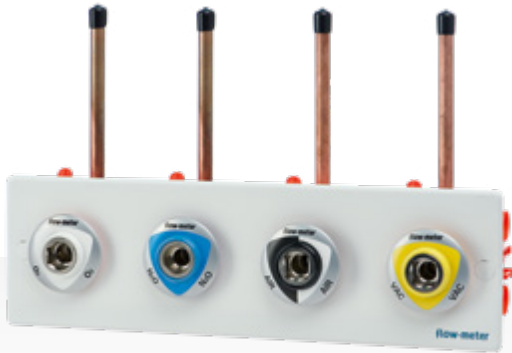
Flush-mounted installation with UNI 9507 outlets
(surface installation also available).

Terminal Units

The terminal units for medical compressed gases and vacuum are the points allowing operators in hospitals to connect medical appliances to the gas distribution systems.

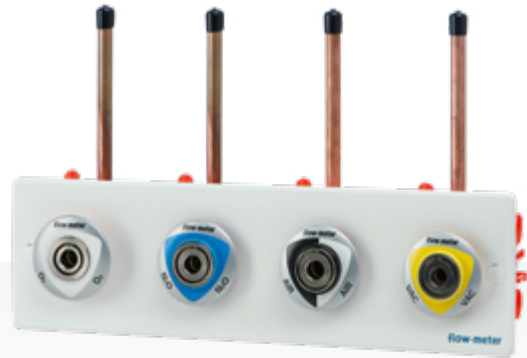
MAIN FEATURES

- Gas-specificity to grant safe connections
- Color code according to international standards
- Available in construction of 1 to 4 units
- According to AFNOR NF-S 90-116/NF-DS 90-119, NIST EN ISO 5359, UNI 9507, DIN 13260-2, BS 5682, SS 875 24 30 standards
- Possibility of surface or flush mounted installation.



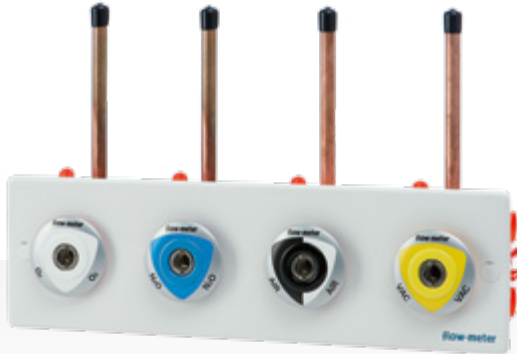
DIN 13260-2 outlets

Flush-mounted installation with DIN 13260-2 outlets (surface installation also available).



BS 5682 outlets

Flush-mounted installation with BS 5682 outlets (surface installation also available).



SS 875 24 30 outlets

Flush-mounted installation with SS 875 24 30 outlets (surface installation also available).



**AFNOR NF-S 90-116/NF-DS 90-119/
NIST EN ISO 5359 outlets**

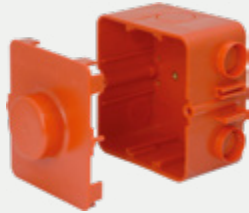
Flush-mounted installation with AFNOR NF-S 90-116/NF-DS 90-119/NIST EN ISO 5359 outlets (surface installation also available).



**AFNOR NF-S 90-116/
NF-DS 90-119/NIST EN ISO 5359 outlets**
Surface installation with AFNOR NF-S 90-116/
NF-DS 90-119/NIST EN ISO 5359 outlets.

Wall cases

Terminal units · Components



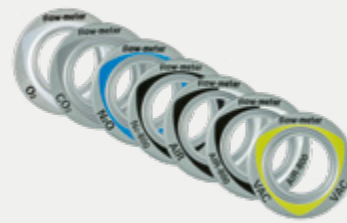
Modular flush-mounted case, complete with disposable panel, suitable for housing **AFNOR NF-S 90-116/ NF-DS 90-119, UNI 9507, DIN 13260-2, BS 5682** and **SS 875 24 30** sockets and outlets.



Shiny ABS cover panel for modular flush-mounted cases for **AFNOR NF-S 90-116/NF-DS 90-119, UNI 9507, DIN 13260-2, BS 5682** and **SS 875 24 30** type outlets. Available with 1, 2, 3 or 4 positions.



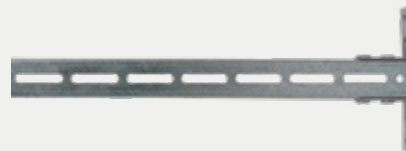
Surface mounted case, complete with varnished stainless steel cover panel, with 1, 2, 3 or 4 positions, suitable for housing **AFNOR NF-S 90-116/NF-DS 90-119, UNI 9507, DIN 13260-2, BS 5682** and **SS 875 24 30** sockets and outlets.



Gases identification labels for **AFNOR NF-S 90-116/ NF-DS 90-119/NIST EN ISO 5359** outlets, suitable for fitting on cover panels on modular flush-mounted cases or on surface-mounted cases.



Gases identification labels for **DIN 13260-2, BS 5682, SS 875 24 30** outlets, suitable for fitting on cover panels on modular flush-mounted cases or on surface-mounted cases.



Plasterboard rail for modular flush-mounted cases.

Outlets

Terminal units · Components



Outlet type **AFNOR NF-S 90-116/NF-DS 90-119** for compressed medical gases and vacuum available in the following construction:

- with gas specific thread UNI 9507
- with thread ISO G. 1/4" M.
- with hose connector Ø 6.0 mm for compressed medical gases and with hose connector Ø 7.5 mm for vacuum.



Outlet type **NIST EN ISO 5359** for compressed medical gases and vacuum available in the following constructions:

- with gas specific thread UNI 9507
- with hose connector Ø 6.0 mm for compressed medical gases and with hose connector Ø 7.5 mm for vacuum.



Outlet type **UNI 9507 NEO** with access for simplified maintenance for compressed medical gases and vacuum available in the following constructions:

- with gas specific thread UNI 9507
- with hose connector Ø 6.0 mm for compressed medical gases and with hose connector Ø 7.5 mm for vacuum.



Outlet type **DIN 13260-2** for compressed medical gases and vacuum.



Outlet type **BS 5682** for compressed medical gases and vacuum.



Outlet type **SS 875 24 30** for compressed medical gases and vacuum.



Outlet type **UNI 9507** with thread for medical gases and vacuum, equipped with parking device.

Sockets

Terminal units · Components



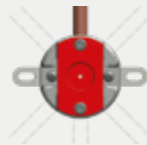
Outlet socket with nut for panel mounting for compressed medical gases and vacuum with gas specific thread **UNI 9507**.



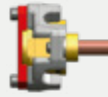
Outlet socket for compressed medical gases and vacuum with gas specific thread **UNI 9507**, complete with nut and copper welding tube nipple.



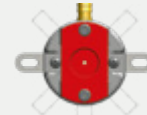
Outlet socket for compressed medical gases and vacuum for **DIN 13260-2, BS 5682, SS 875 24 30** outlets.



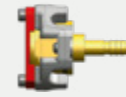
Flush-mounted case with rotating hose positioning



Back hose

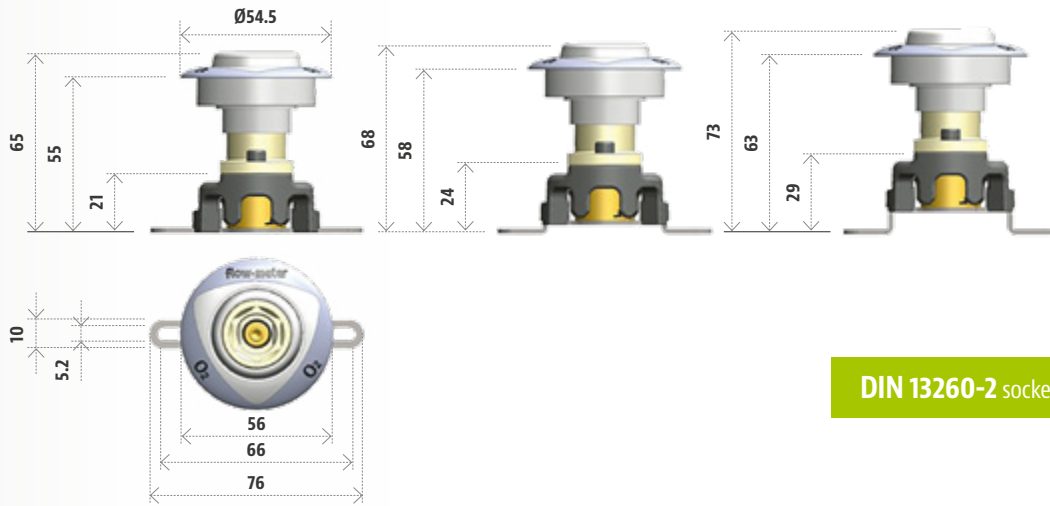


Rotating hose nozzle

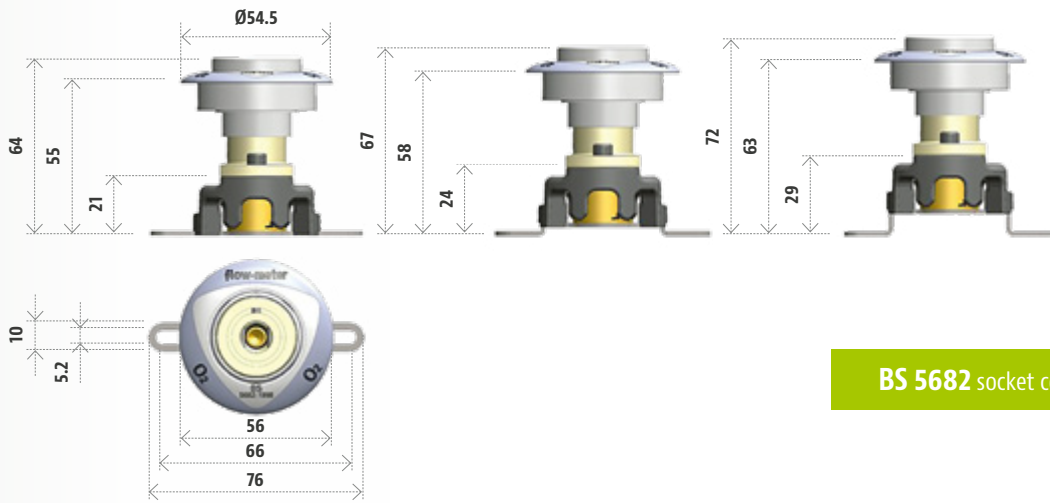


Back hose nozzle

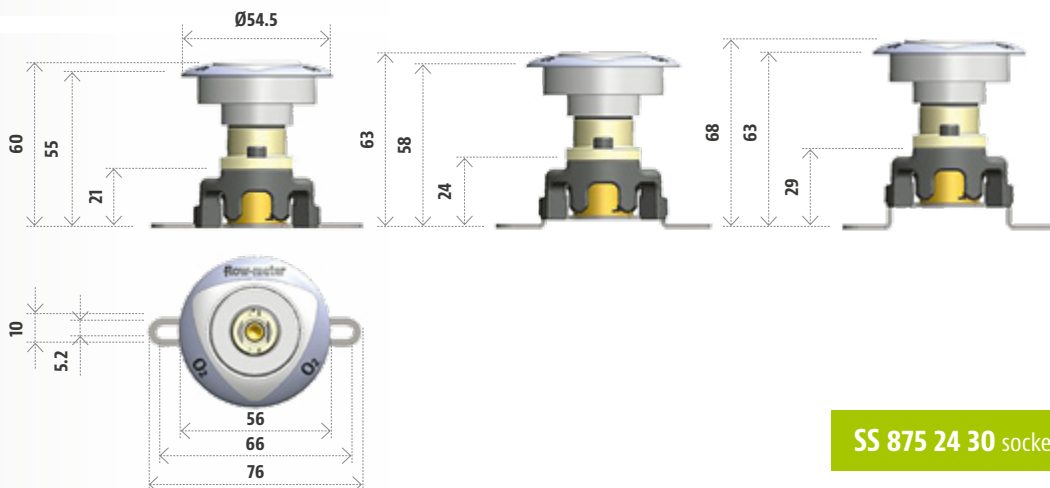
Configurations



DIN 13260-2 socket configuration



BS 5682 socket configuration



SS 875 24 30 socket configuration

Directory

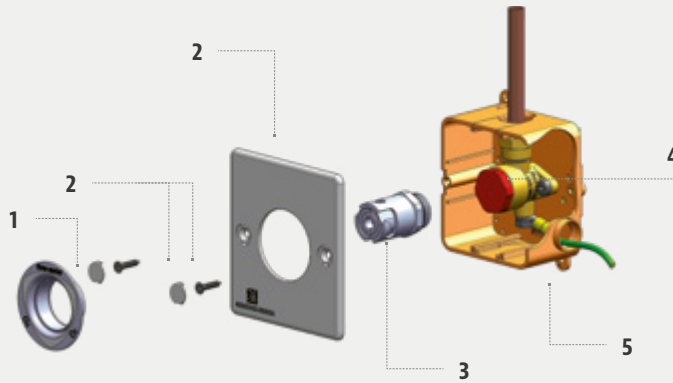
Terminal units · **Flush-mounted** installation



AFNOR NF-S 90-116/NF-DS 90-119/ NIST EN ISO 5359 outlets

Directory · Components detail

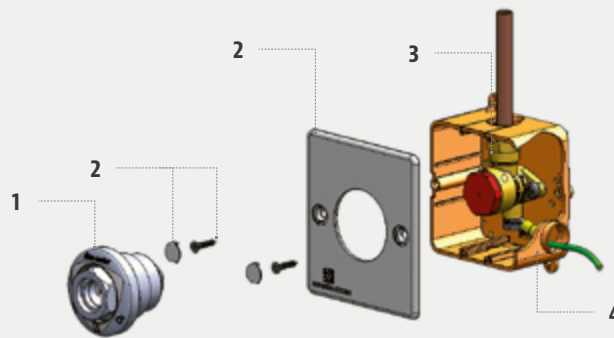
- 1 Gas identification label for AFNOR NF-S 90-116/
NF-DS 90-119/NIST EN ISO 5359 outlets
- 2 ABS panel for modular flush-mounted cases
with screws
- 3 Outlet type AFNOR NF-S 90-116
or NF-DS 90-119 or NIST EN ISO 5359
- 4 Socket with UNI 9507 thread
- 5 Modular flush-mounted case



UNI 9507 outlets

Directory · Components detail

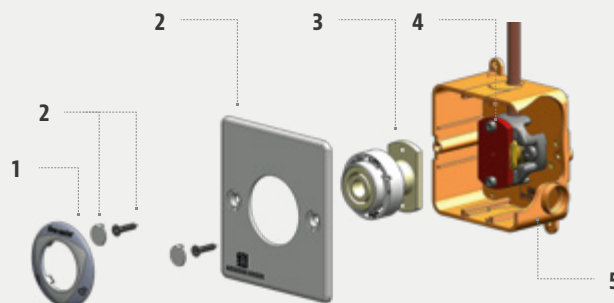
- 1 Outlet type UNI 9507
- 2 ABS panel for modular flush-mounted
cases with screws
- 3 Socket with UNI 9507 thread
- 4 Modular flush-mounted case



DIN 13260-2, BS 5682, SS 875 24 30 outlets

Directory · Components detail

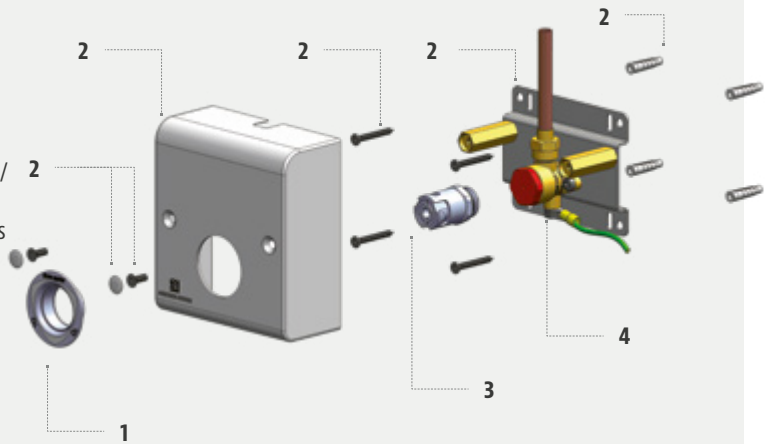
- 1 Gas identification label for DIN 13260-2,
BS 5682, SS 875 24 30 outlets
- 2 ABS panel for modular flush-mounted
cases with screws
- 3 Outlet type DIN 13260-2 or BS 5682
or SS 875 24 30
- 4 Socket for DIN 13260-2, BS 5682,
SS 875 24 30 outlets
- 5 Modular flush-mounted case



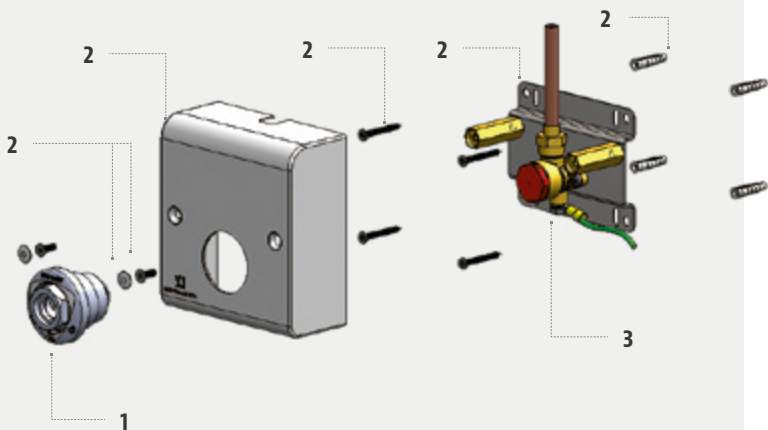
Terminal units · Surface installation

**AFNOR NF-S 90-116/NF-DS 90-119/
NIST EN ISO 5359 outlets****Directory · Components detail**

- 1 Gas identification label for AFNOR NF-S 90-116/
NF-DS 90-119/NIST EN ISO 5359 outlets
- 2 Surface mounted case with screws and spacers
- 3 Outlet type AFNOR NF-S 90-116
or NF-DS 90-119 or NIST EN ISO 5359
- 4 Socket with UNI 9507 thread

**UNI 9507 outlets****Directory · Components detail**

- 1 Outlet type UNI 9507
- 2 Surface mounted case with screws
and spacers
- 3 Socket with UNI 9507 thread

**DIN 13260-2, BS 5682, SS 875 24 30 outlets****Directory · Components detail**

- 1 Gas identification label for DIN 13260-2, BS 5682,
SS 875 24 30 outlets
- 2 Surface mounted case with screws and spacers
- 3 Outlet type DIN 13260-2 or BS 5682
or SS 875 24 30
- 4 Socket for DIN 13260-2, BS 5686,
SS 875 24 30 outlets

