

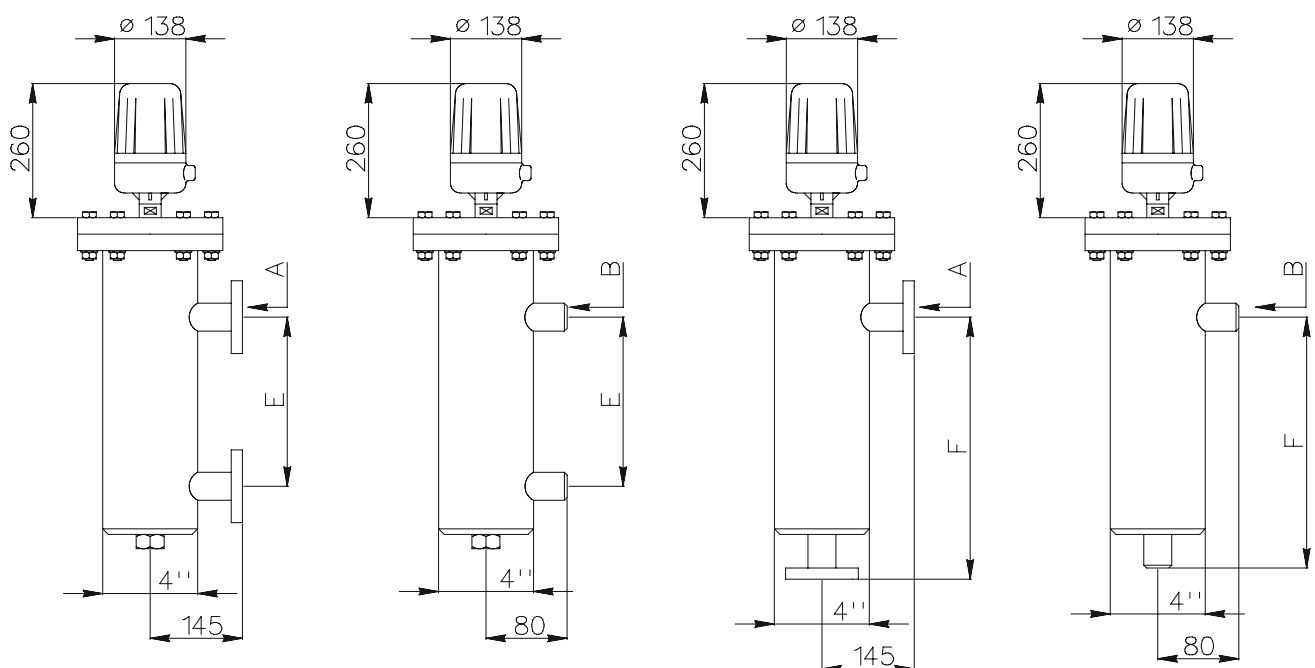


Level switches type IL 6

The level switches type IL 6 are hydrostatic thrust regulators for external lateral mounting with inspectionable body and with one or two switch groups controlled by one or two floats. They are suitable for the applications where there are working pressures up to 64 bar, temperatures up to 250° C. and fluids with a minimum specific gravity of 0.7 Kg/dm³. They have working features similar to the ones of the switches type IL 4. The

electric part is contained in an aluminium case with IP 65 electric protection (standard type) or in a flameproof case following the EN 50.018 (CEI 31.1) - EEx-d IIB T6 or EEx-d IIC T6 (request type) with threaded electric connection 1/2" UNI 6125 F. The level switches type IL 6 are supplied with switch groups on which only one SPDT contact is mounted. On request they can be supplied with two contacts in parallel.

The process connections can be threaded or flanged with side-side or bottom-side construction. The connection sizes and distances of the standard models. Different distances and sizes can be made on request. The IL 6 series is composed by the following models: IL 6/A - IL 6/B - IL 6/C.





STANDARD CONNECTIONS

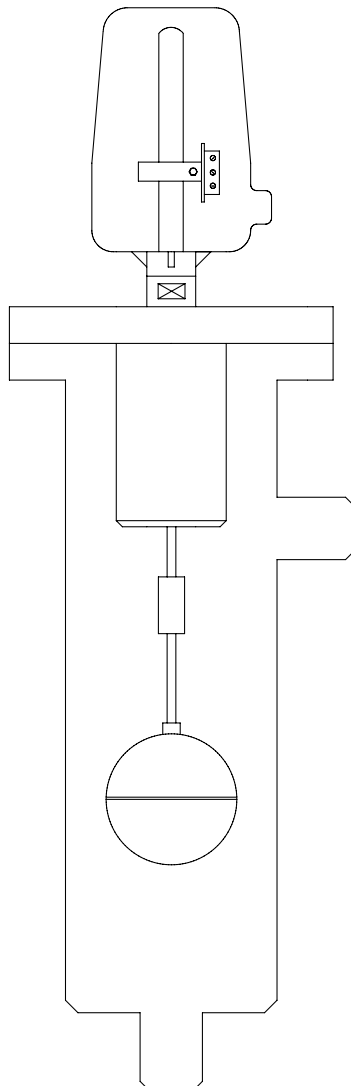
FLANGE A		THREAD B	
1" ANSI B16.5 150 LB	DN25 PN16 UNI 2223	1" NPT F.	G 1" F.

STANDARD INTERAXLE

IL 6A		IL 6B - IL 6C	
E	178	E	400
F	330	F	552

BODY	Standard MAX. TEMPERATURE	MAX. TEMPERATURE with cooling fin
Carbon Steel	120° C.	250° C.
S/S AISI 304	120° C.	250° C.
S/S AISI 316	120° C.	250° C.

IL 6A



COMPONENTS

1 DISPLACERS 1 SWITCH

Maximum distance between connection centre: 1500 mm.

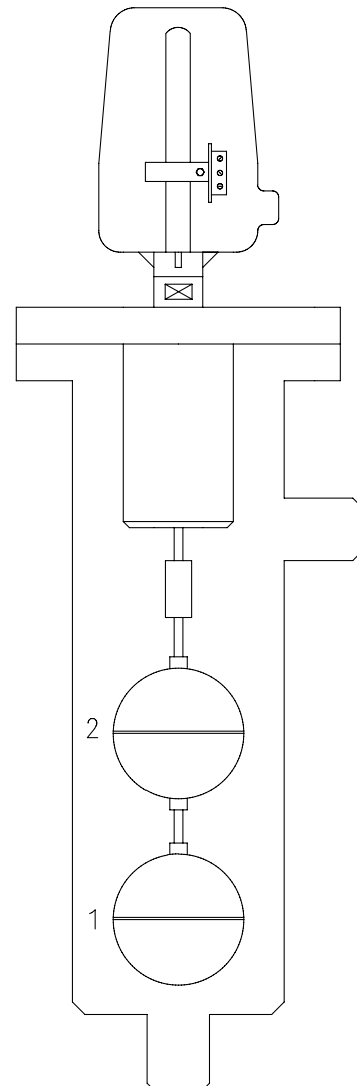
FEATURES

50 mm. fixed differential adjustable on the whole rope length

INTERVENTION FEATURES

- It opens (or closes) for increasing level
- It closes (or opens) for decreasing level

IL 6B



COMPONENTS

2 DISPLACERS 1 SWITCH

Maximum distance between connection centre: 1500 mm.

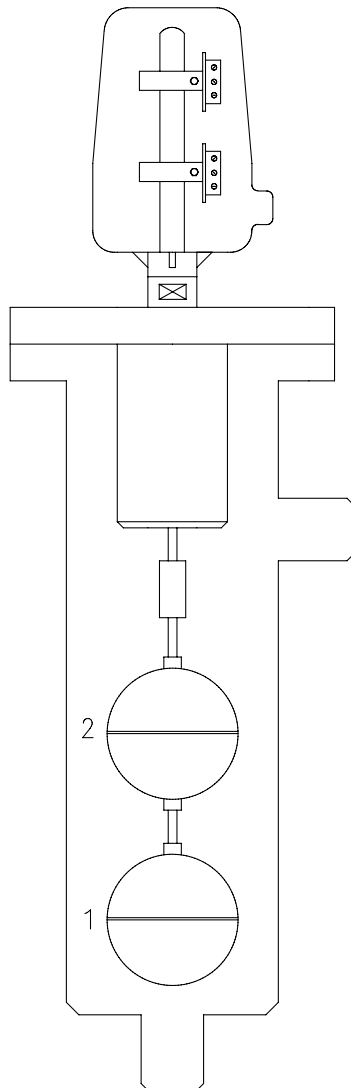
FEATURES

Differential adjustable between a 250 mm. min. value and a 1200 mm. max. value

INTERVENTION FEATURES

- 2. - It opens (or closes) for increasing level
- 1. - It closes (or opens) for decreasing level

IL 6C



COMPONENTS

2 DISPLACERS 2 SWITCH

Maximum distance between connection centre: 1500 mm.

FEATURES

50 mm. fixed differential adjustable on the whole rope length

INTERVENTION FEATURES

- 2.- It opens (or closes) the upper switch for increasing level
 - It closes (or opens) the upper switch for decreasing level
- 1.- It opens (or closes) the lower switch for increasing level
 - It closes (or opens) the lower switch for decreasing level