

## Magnetic transmission flowmeters type TMW/D

The TMW/D series flowmeters for indirect readings are instant flow meters with magnetic coupling of the measuring element.

The flow rate can be read with great accuracy on the external LCD which, together with the magnetic unit, is held in a sealed, mould-cast aluminium case.

Particularly suitable for measuring fluids, both liquid and gaseous, under heavy working conditions, these instruments can be used in a wide range of applications in the chemical, petrochemical, pharmaceutical and food processing industries, etc.

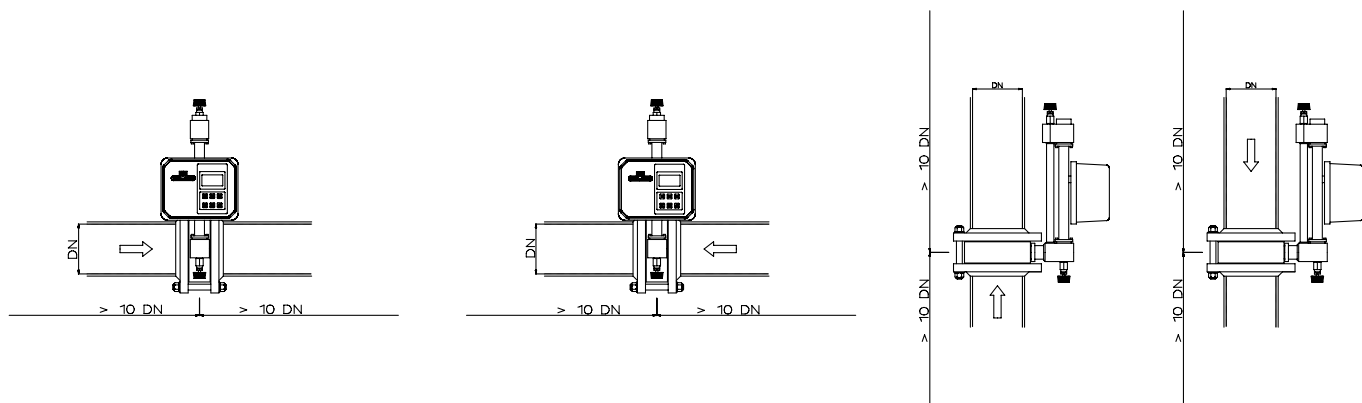
The indirect reading flow meter type TMW/D can be mounted both on horizontal pipelines, with right or left flows, and on vertical pipelines, with upwards or downwards flow.

They can also supply clean electrical exchange

signals for flow alarms (No alarm, minimum contact (Q1), maximum contact (Q2), minimum and maximum contact (Q1 + Q2), bistable contact (Qmin and Qmax)), which can be set with a keypad on the entire scale, as well as a 4-20 mA or 0-10 V electrical output signal proportional to the flow rate, besides displaying the total flow.

By pressing the pushbuttons SET1, SET2 and 123 it is possible to set:

- the time within which the alarm signal must be triggered (from 0 to 10 s);
  - the enabling or disabling of the alarm buzzer: if the set limits are exceeded an acoustic warning can be emitted, which can be turned OFF with a pushbutton, or the alarm can be signalled merely by the flashing of the alarm indicator and the LED on the MUTE pushbutton;
  - the flow rate indication delay time (from 0 to 10 s);
  - the output signal delay time (from 0 to 10 s);
  - the selection of the output signal (4-20 mA or 0-10 V);
  - the toggling ON/OFF of the decimal figure indicator;
  - the keypad block, to avoid accidental or unwanted commands.
  - Other features, besides those already mentioned are:
    - Carbon steel or stainless steel body
    - standard construction up to PN10;
    - maximum working temperature: 120° C.;
    - accuracy:  $\pm 5\%$  E.O.S.;
    - graduated flow scale or percentage.
- Instruments with other features can be provided on request.



Type TMW/D line mounting examples



#### FEATURES

Accuracy	± 5% V.F.S.
Max. working pressure	PN 10
Max. working temperature	120° C.
Cut-off tap by-pass type	

#### ACCESSORIES

Construction up to PN 64
Float made of HASTELLOY C or TITANIUM
P.T.F.E. gaskets
Separate measuring device to be connected at distance

#### ELECTRICAL SPECIFICATIONS

Voltage	235 V A.C. ± 10% 50-60 Hz
Power	15 VA
Connector	MIL-C 26482 (US)
IP class	IP 66
Software switch push button on front panel (I/O)	

#### ELECTRICAL OUTPUT SIGNALS

Exchange contacts SPDT	Max. 250 V A.C. 0,5 A
Analogic voltage output	0-10 V
Maximum charge	1 KOhm
Analog current output	4-20 mA
Minimum charge	250 Ohm

TYPE	WATER maximum flow m <sup>3</sup> /h	AIR maximum flow Nm <sup>3</sup> /h 1013 mbar	FLANGE A	
			UNI PN 6 ÷ PN 64	ANSI 150 LB ÷ 300 LB
TMW/D 40	30	450	DN 40	1" 1/2
TMW/D 50	45	700	DN 50	2"
TMW/D 65	75	1200	DN 65	2" 1/2
TMW/D 80	110	1800	DN 80	3"
TMW/D 100	170	2800	DN 100	4"
TMW/D 125	270	4500	DN 125	5"
TMW/D 150	400	6500	DN 150	6"
TMW/D 200	700	11000	DN 200	8"
TMW/D 250	1100	18000	DN 250	10"